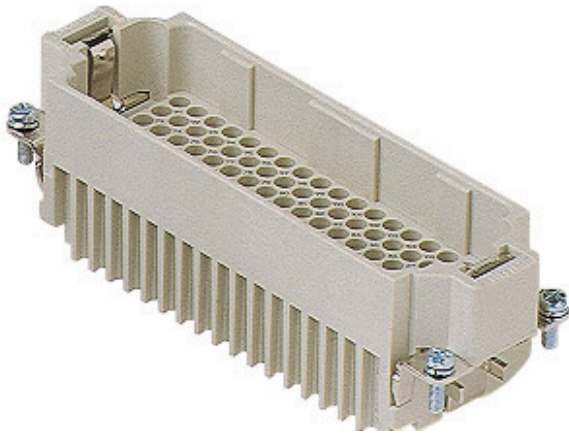


Part number

CDDM 108



Brief description:

male insert, 108 poles + PE, crimp connections, 10A, 250V, 4kV, 2, size "104.27", CLASS insert series

Product description

Model	male insert
Version	crimp connections
Series	CDD
Product type	for male contacts 10A
Family	CLASS inserts
Size	size "104.27"
N. of poles	108 poles +

Technical data

Current	10 A
Voltage	250 V
Rated impulse withstand voltage	4kV
Pollution degree	2
Operating temperature range (min, max)	-50°C ... +70°C
Mating cycles	≥ 200
IP degree of protection	IP20 without enclosure; IP65/IP66/IP67/IP68 with enclosure
PE connection type	Screw
PE terminal stripping length	7 mm
PE wire cross-section	0,14 - 4 mm ² ; AWG 20 - 12
Tightening torque for PE connection	M4: 1,2 Nm, 10,6 lb.in (Ph2 or 1,0x5,5mm)

Further technical details

Characteristics according to EN 61984	10A 250V 4kV 2
Insulation resistance	≥ 1 GΩ
Contact resistance	≤ 3 mΩ
Rated voltage according to UL/CSA	600V
UL 94 flammability rating	V-0
Tightening torque for fixing screws	M3: 0.5 Nm; 4.4 lb.in (Ph1 or 0.8x4 mm)
Weight	70,00 g

Approvals / Standards

Reference standard	EN 61984 (2001-11)
Quality mark	EAC
Conformity	CQC, CE

General ordering information

EAN13 code	8015747013925
Tariff number	85369095
Country of origin	Made in EU (IT)
ETIM classification	EC000438

Packaging Information

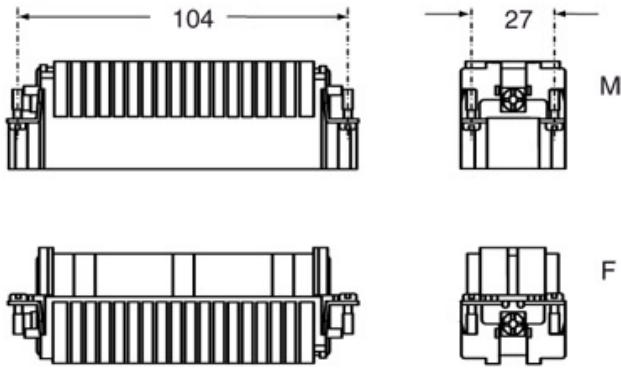
Packaging length	210,00 mm
Packaging height	130,00 mm
Packaging width	240,00 mm
Packaging weight	2,61 kg
Packaging volume	6,55 dm ³
Packaging description	Carton box
Packaging quantity	30 Pcs
Packaging EAN code	8015747013932
Sub-packaging weight	0,44 kg
Sub-packaging description	Carton
Sub-packaging quantity	5 Pcs
Sub-packaging EAN barcode	8015747013949

Part number

CDDM 108



Catalogue drawings



Catalogue drawings

